




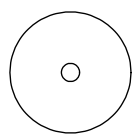
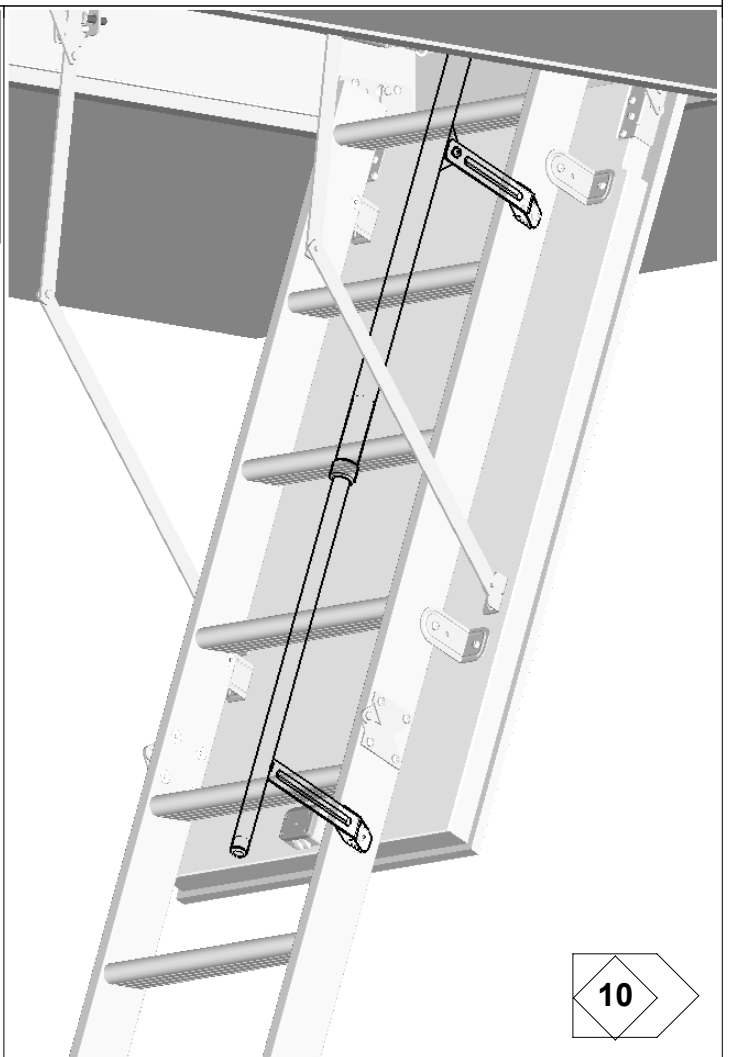
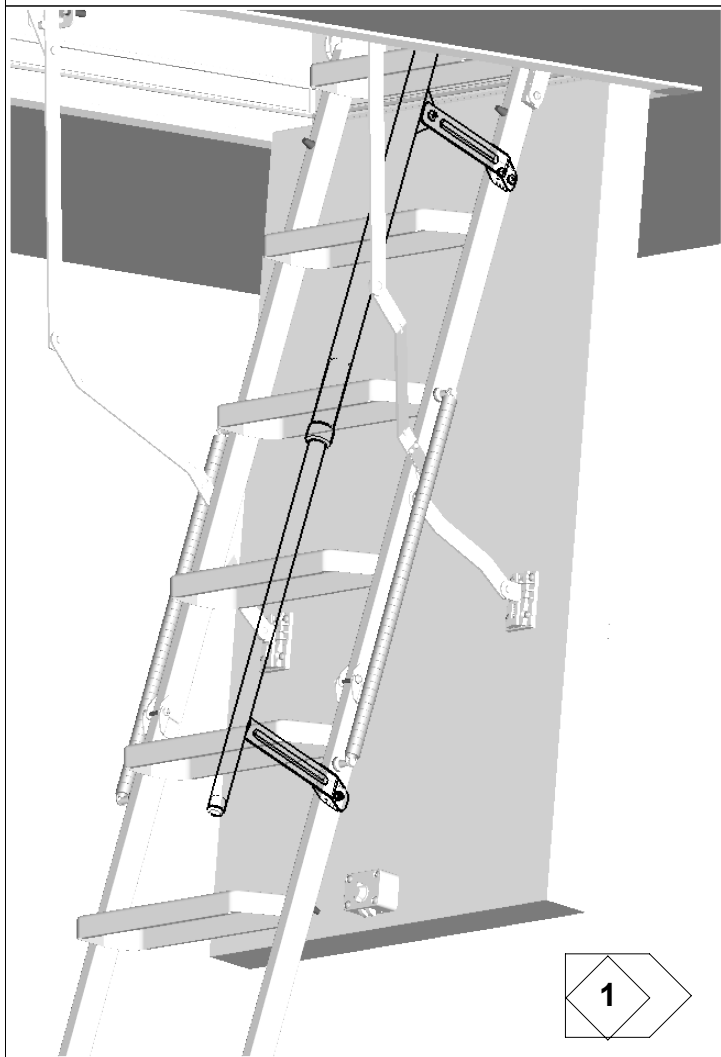
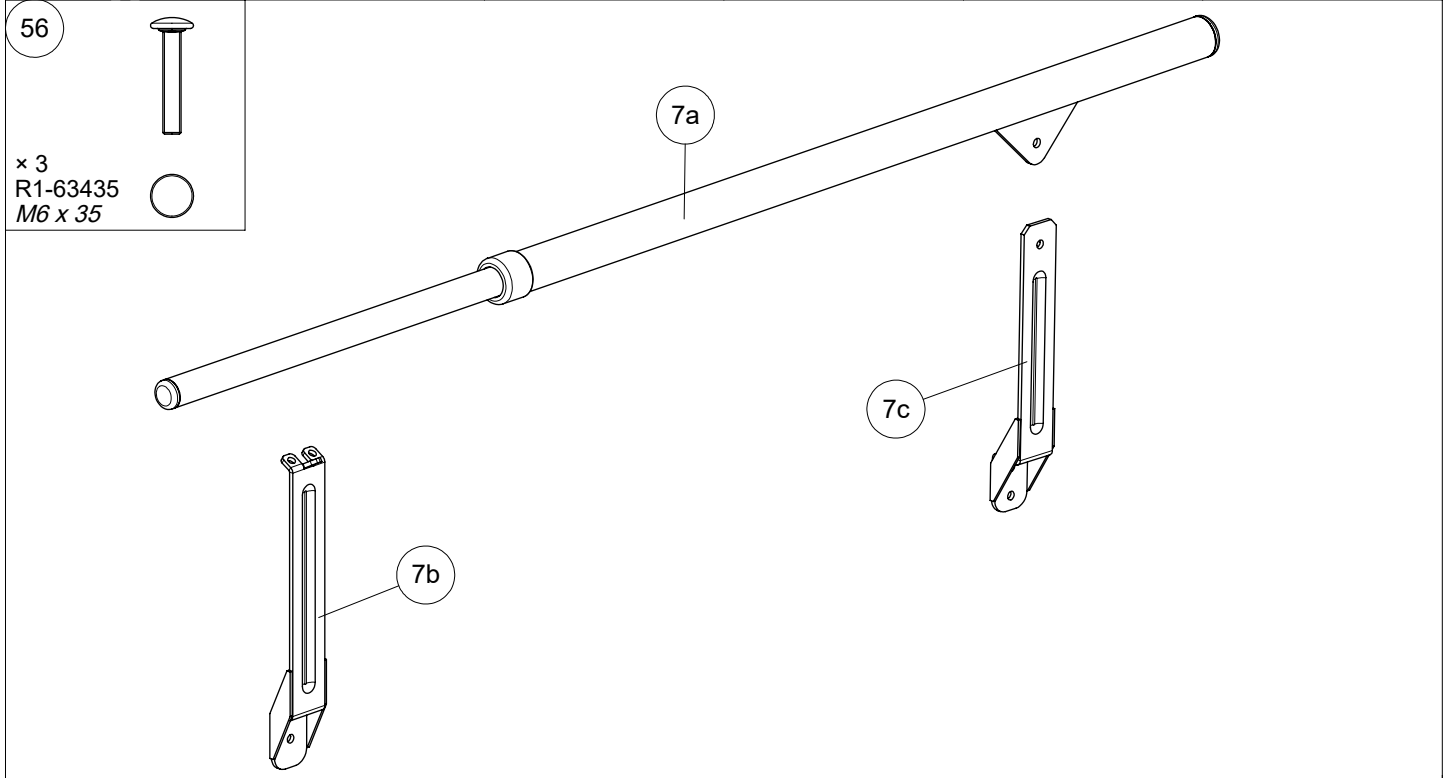
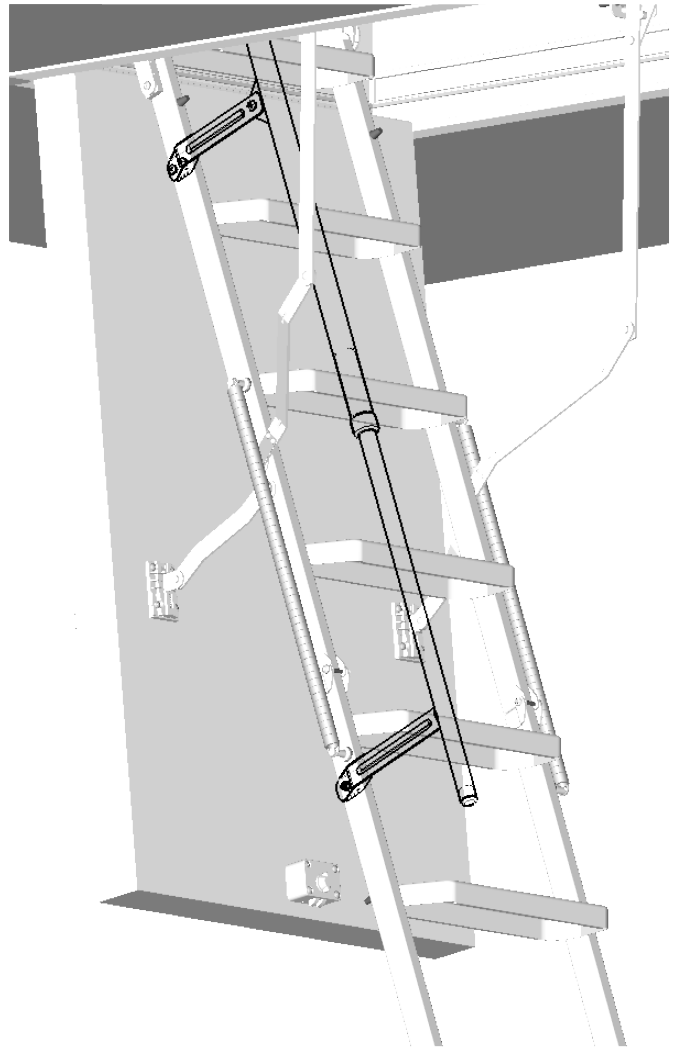
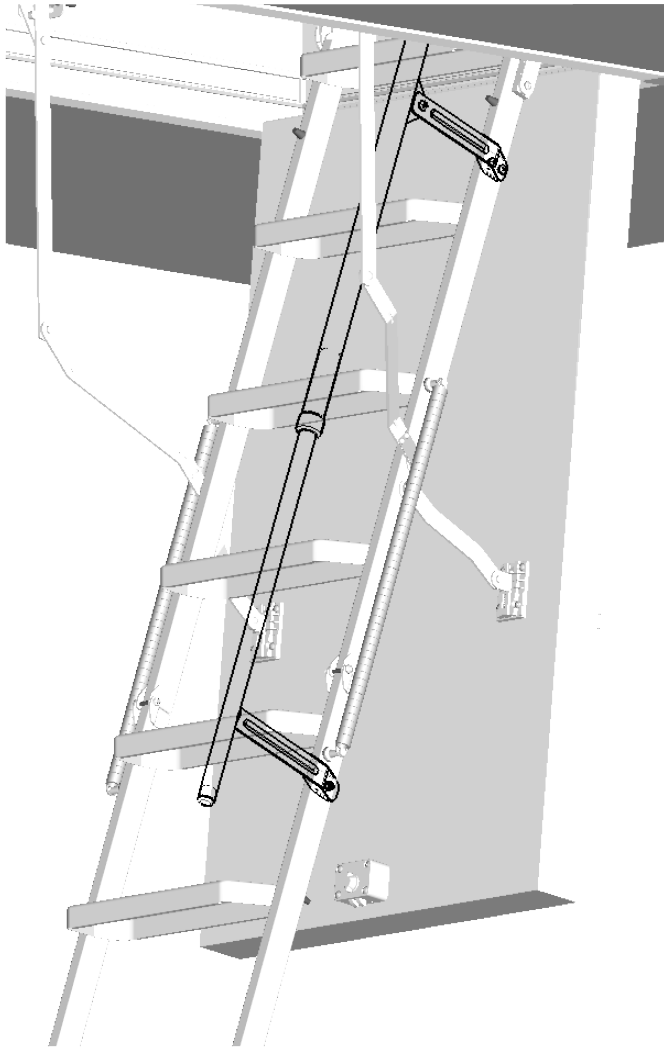


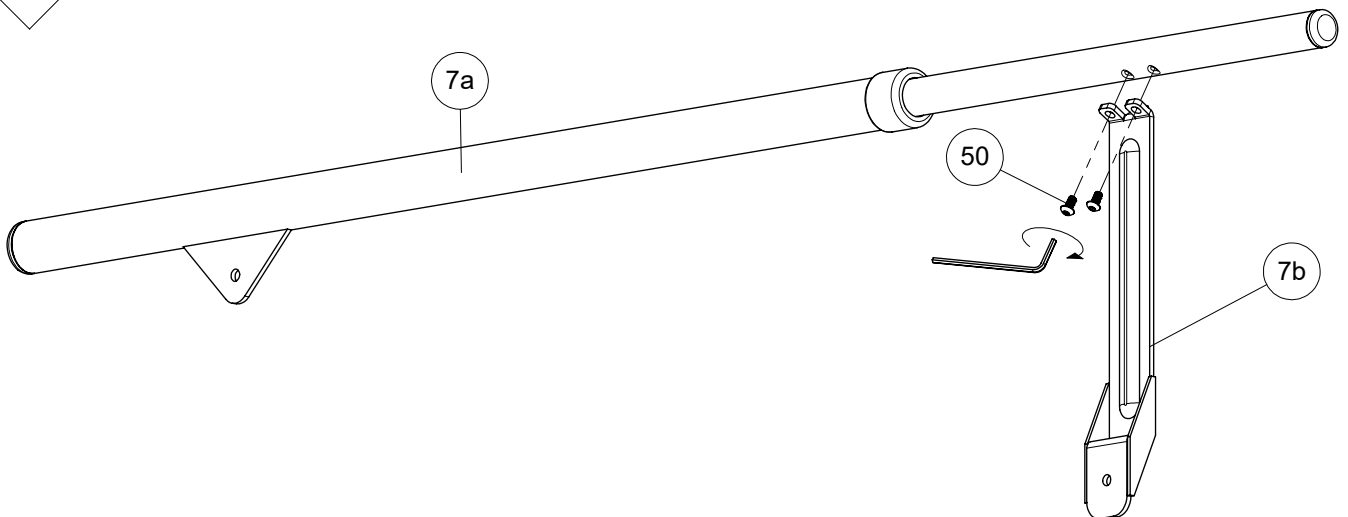
<p>50</p>  <p>× 2 K3-02298 M5 x 8</p>	<p>51</p>  <p>× 3 K3-02059 M6 x 16</p>	<p>52</p>  <p>× 4 K3-04026 M6 (Φ 6,4)</p>	<p>53</p>  <p>× 4 K3-03026 M6</p>	<p>54</p>  <p>× 1 K3-05016 M6 x 30</p>	<p>55</p>  <p>× 1 K3-04540 Φ 40 / Φ 6</p>
--	--	--	--	--	--



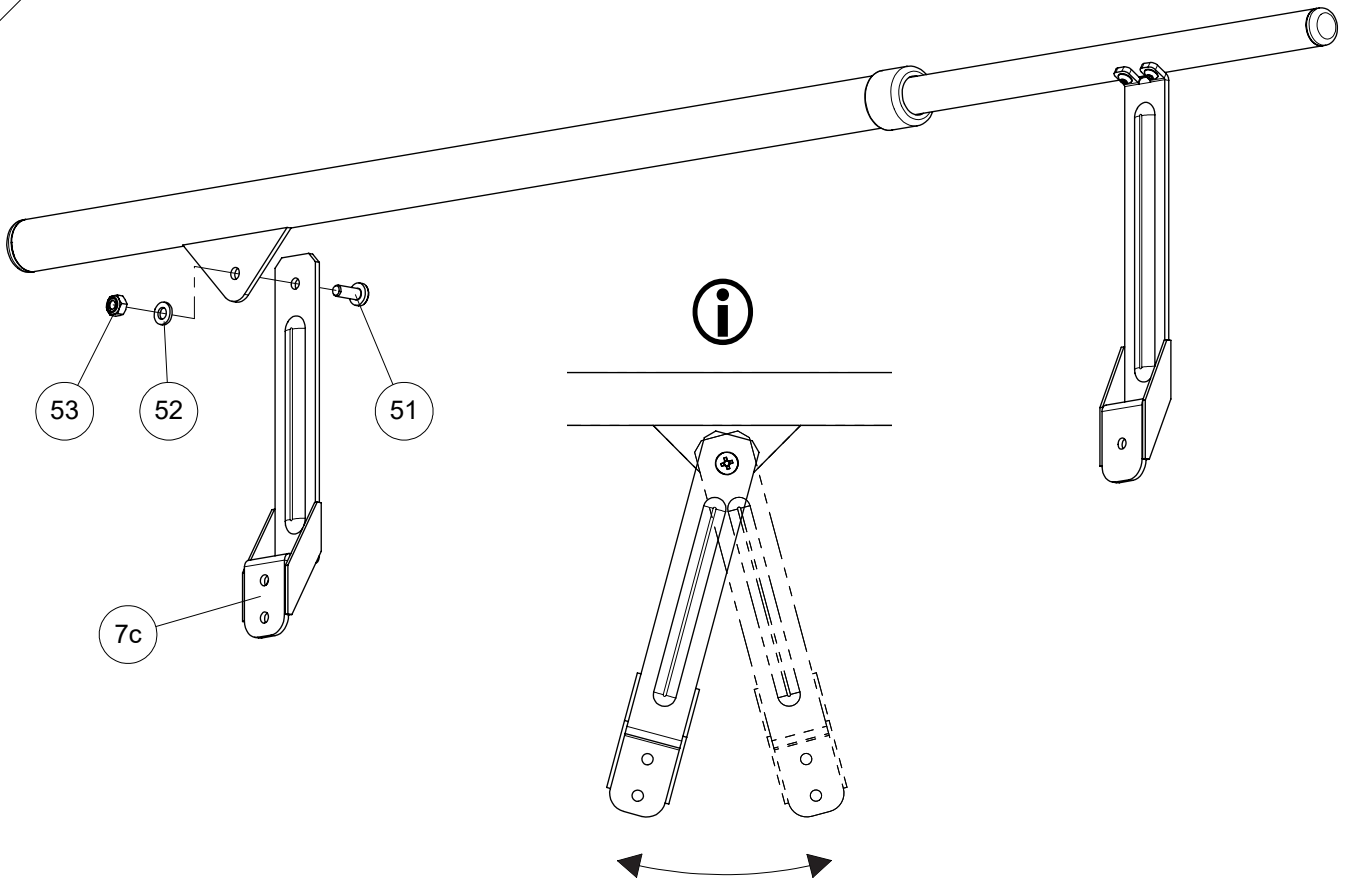
1



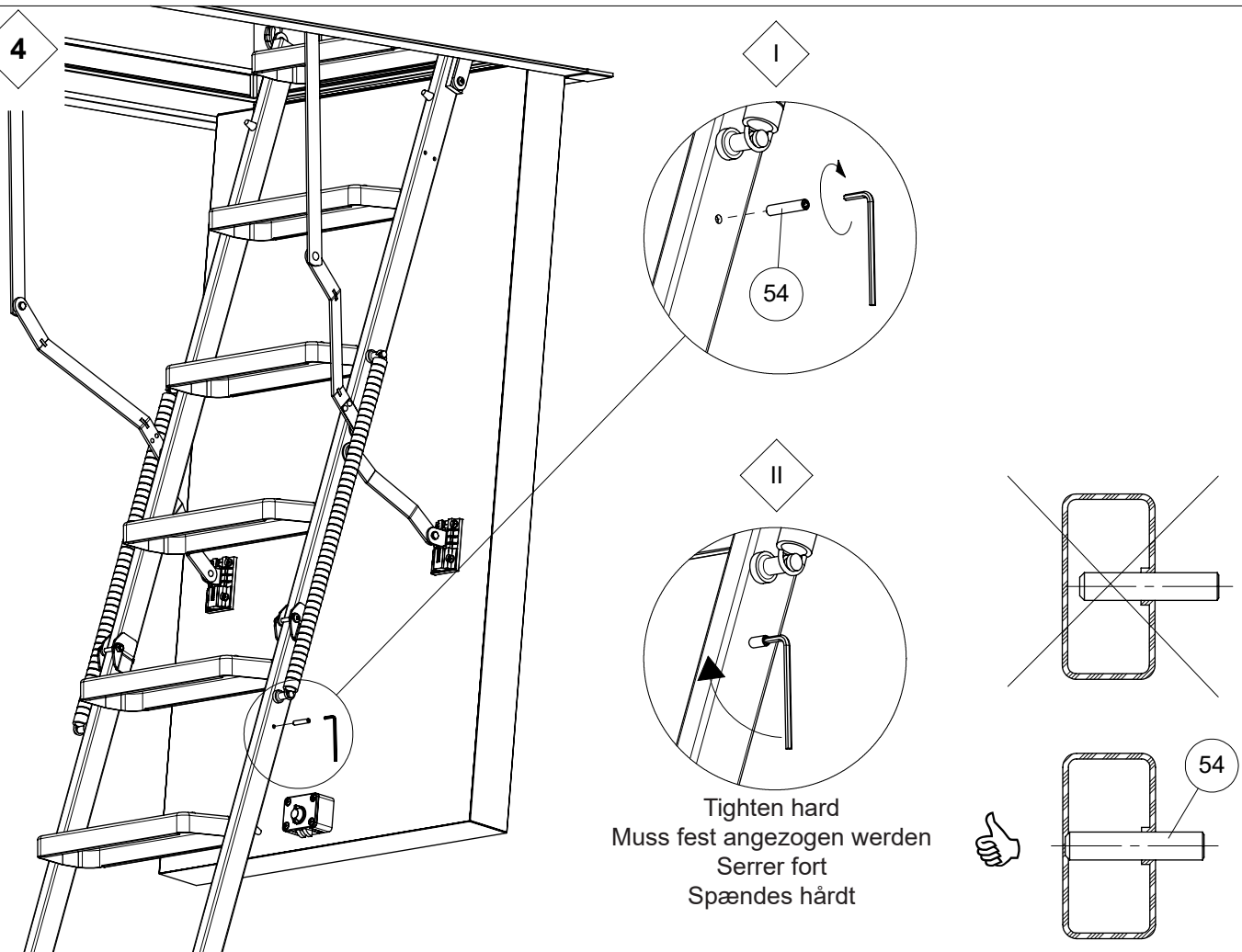
2

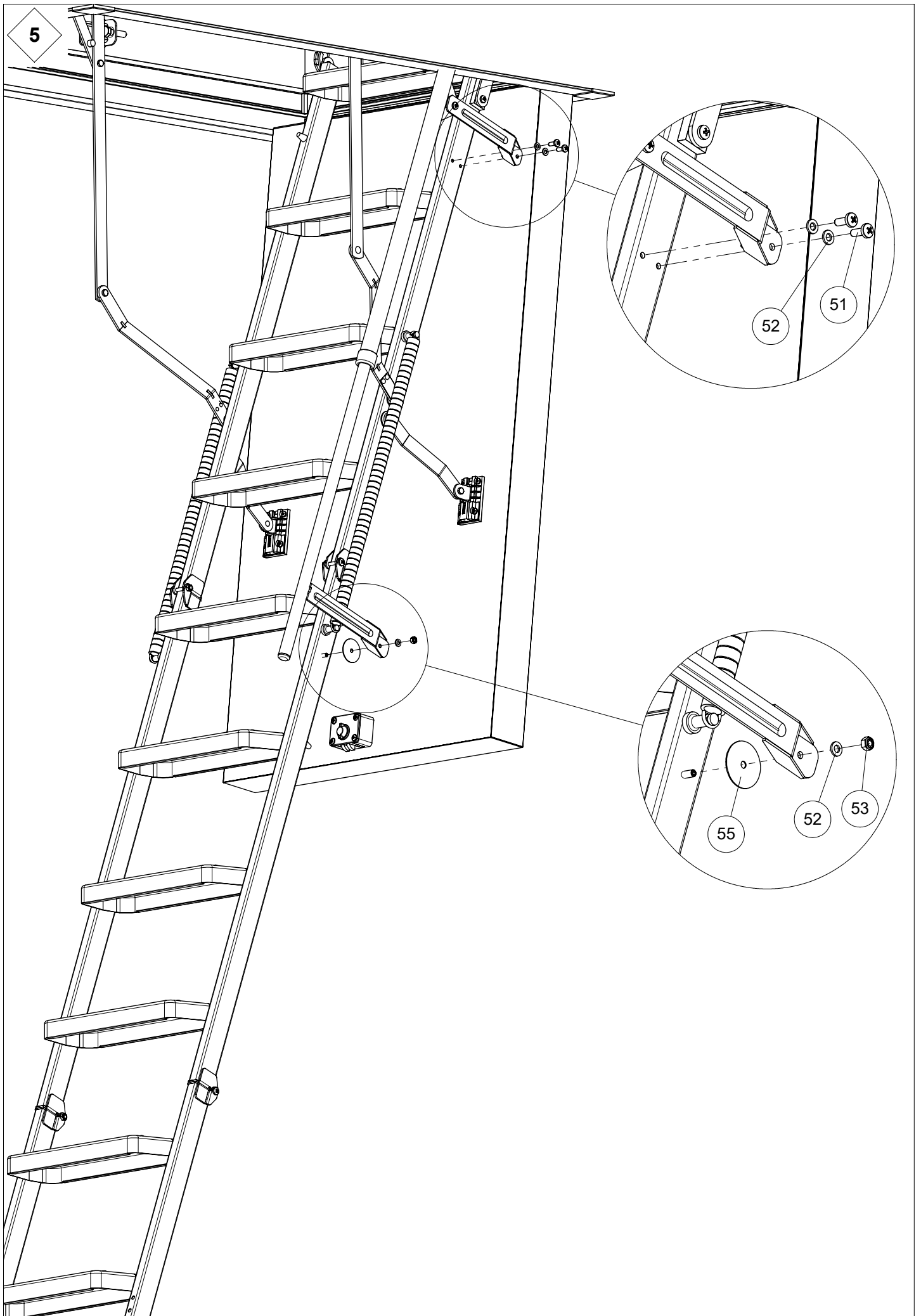


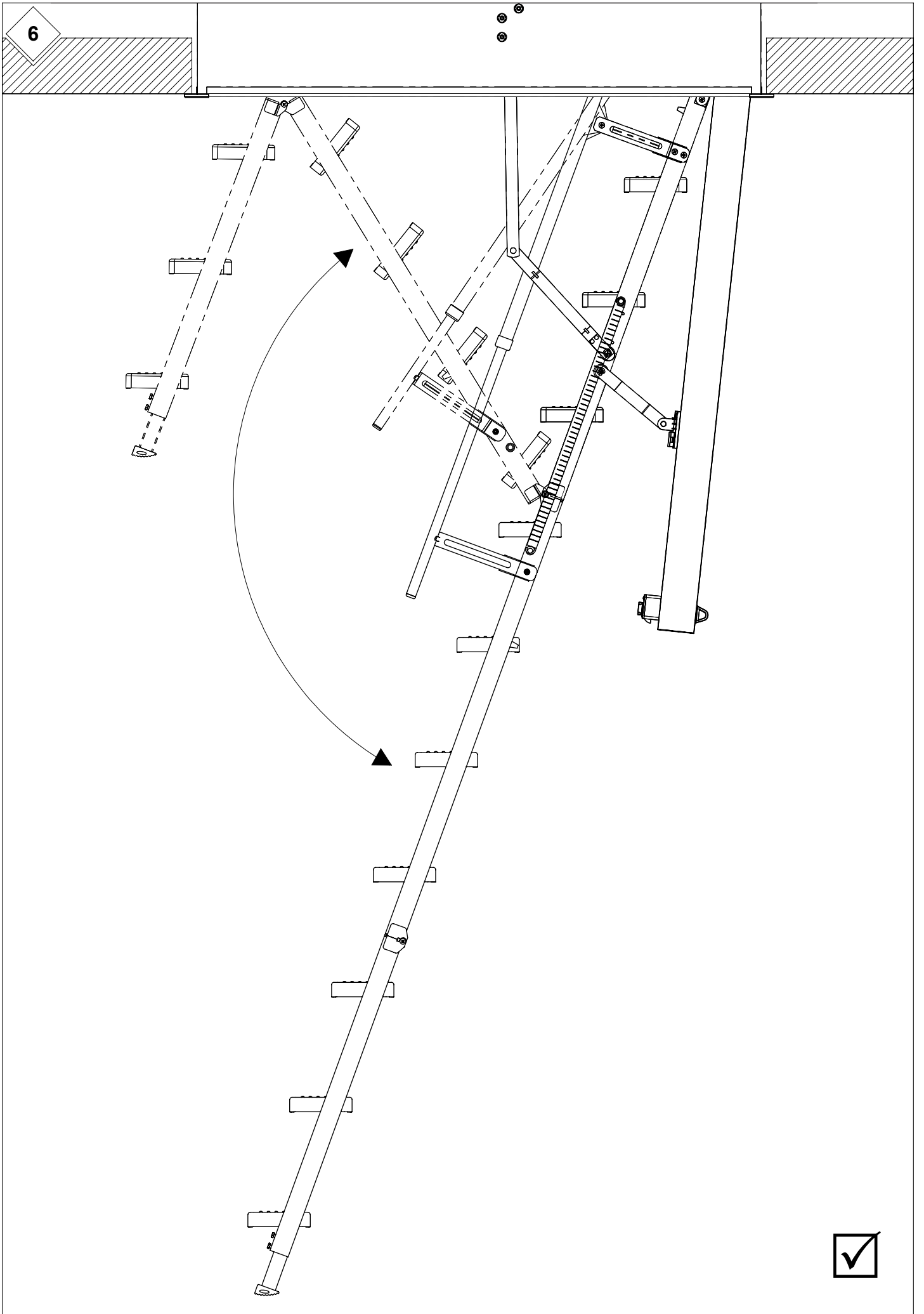
3



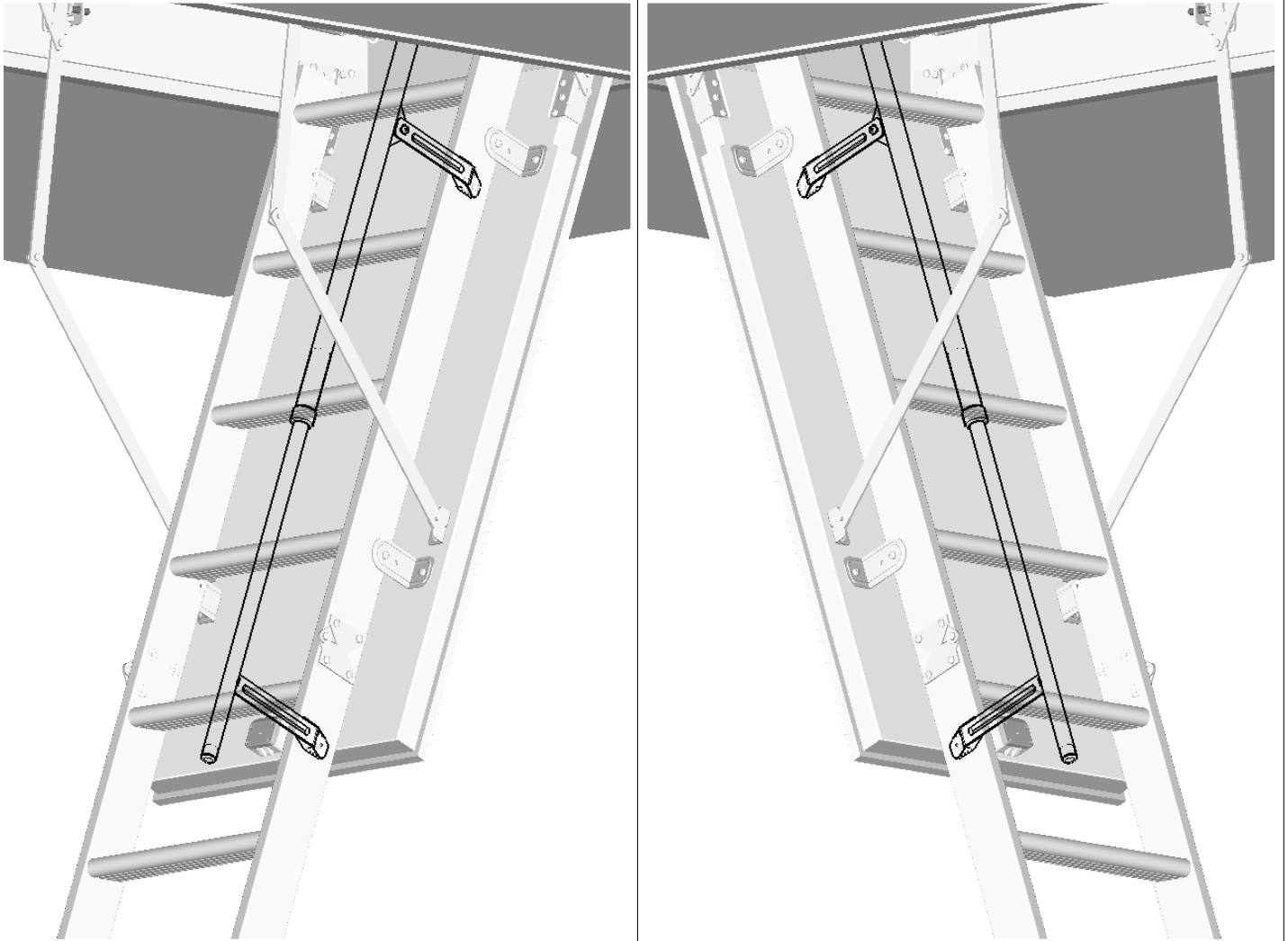
4



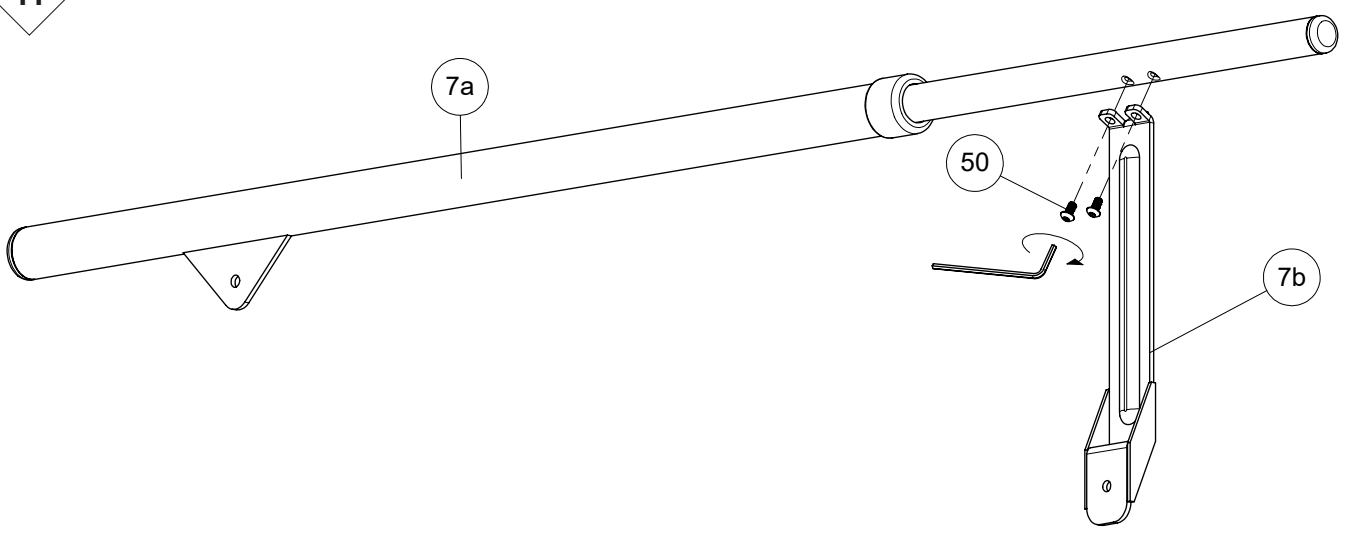




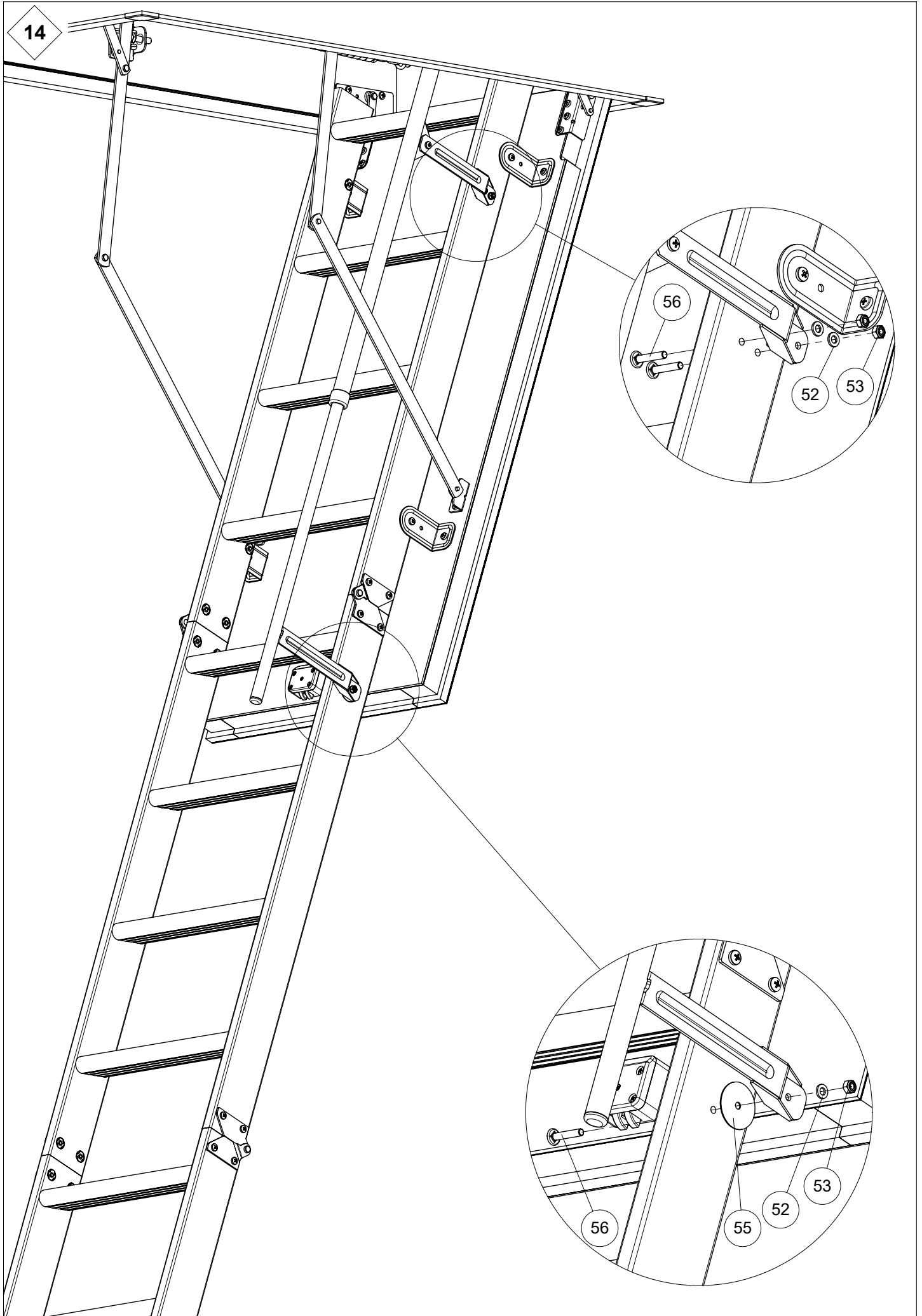
10



11



14



15

